

RoHS
COMPLIANT



WWW.AsA-Elec.com

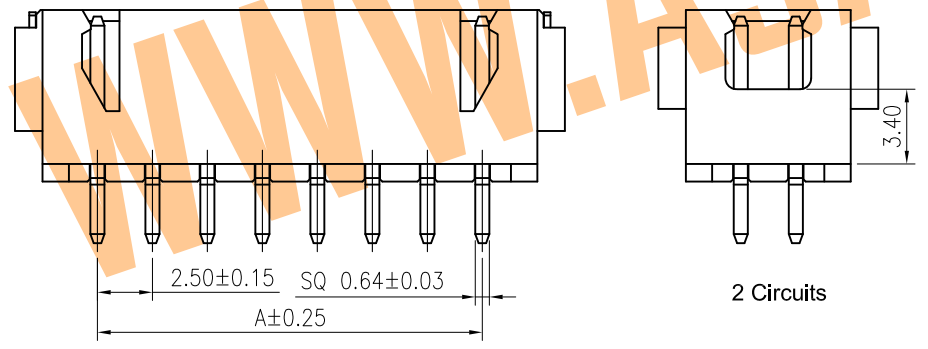
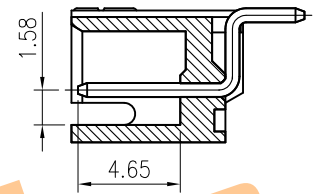
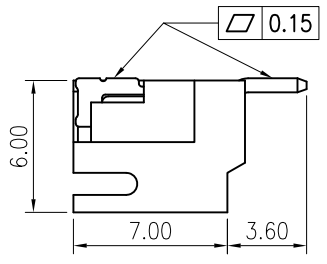
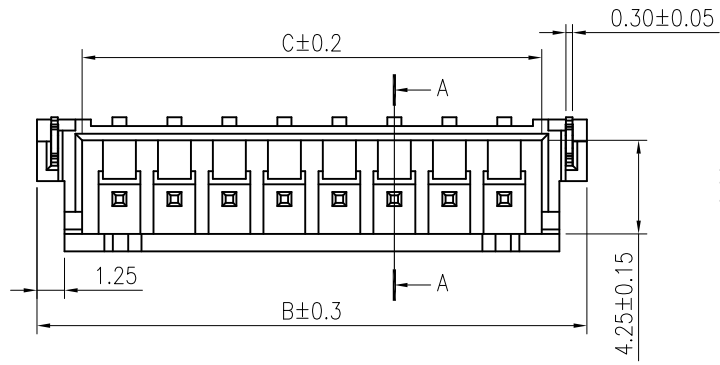
AsA Electronic Co.

Tel : (+98) 21 66 73 56 82 Mob : (+98) 912 03 161 02

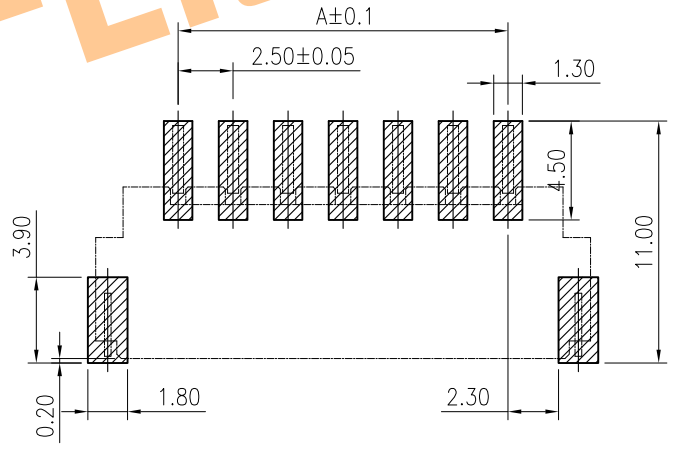
- ◆ SPECIFICATIONS
- Current rating: 3A AC, DC
 - Voltage rating: 250V AC,DC
 - Temperature range: -40°C ~ +105°C
 - Insulation resistance: 1000MΩ Min.
 - Withstanding voltage: 1000V AC/ minute.
 - Contact resistance: 20mΩ Max.

Material:
 Insulator: Nylon 9T UL 94V-0
 Contact: Brass
 Solder Nail: Brass
 Plating: Tin plated over Nickel
 Circuits: 2~16
 Mates: KR2501 series Housing

Ordering code:
 C2501RS *** 11 M0101RA
 102:2P
 116:16P
 11=PA9T Natural
 12=PA9T Black



2 Circuits



Recommended P.C.Board Layout

CKT.	Dimension		
	A	B	C
2	2.50	10.00	5.90
3	5.00	12.50	8.40
4	7.50	15.00	10.90
5	10.00	17.50	13.40
6	12.50	20.00	15.90
7	15.00	22.50	18.40
8	17.50	25.00	20.90
9	20.00	27.50	23.40
10	22.50	30.00	25.90
11	25.00	32.50	28.40
12	27.50	35.00	30.90
13	30.00	37.50	33.40
14	32.50	40.00	35.90
15	35.00	42.50	38.40
16	37.50	45.00	40.90

F	Uniformly arrange the drawings	ZSZ	2021.09.22	TOLERANCE X.X ±0.30 X.XX ±0.20 X.XXX ±0.10 Angle ±2°	TITLE: XH2.5 SMT 90° WF	DRAWN: <i>Arvin 2020.01.17</i>		PART NO.: C2501RS*****M0101RA	
	Modify Size	Arvin	2020.05.27			CHECKED:	APPROVED:		
LTR	REVISION DESCRIPTION	SIGNATURE	DATE	UNIT:mm	SCALE:N/A	SHEET:1/1	PROJECTION	VER.:A3	DRAWING NO.:2501WRS101-A-S
1	2	3	4	5	6	7	8	9	